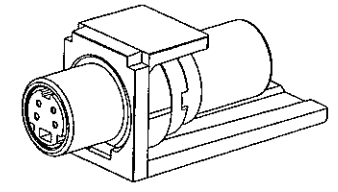
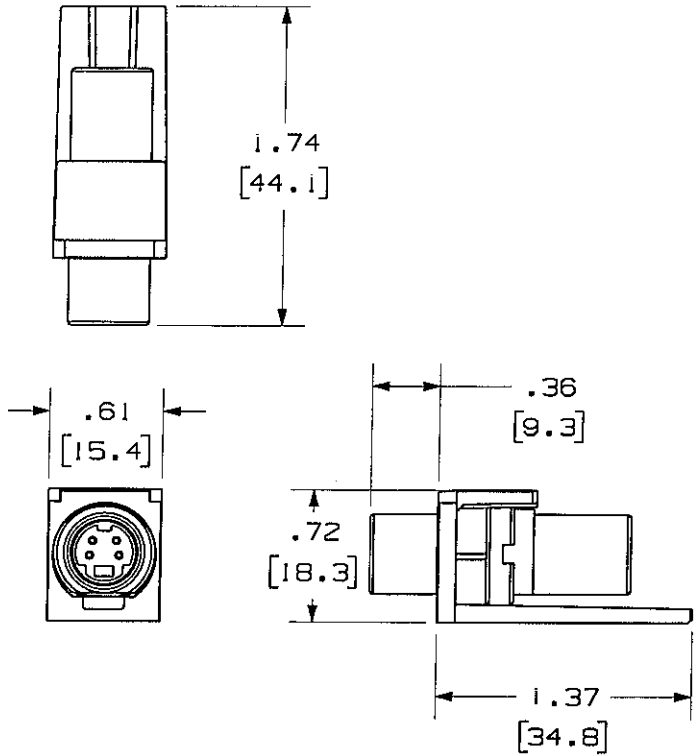


THIS COPY IS PROVIDED ON A RESTRICTED BASIS AND IS NOT TO BE USED IN ANY WAY DETRIMENTAL TO THE INTERESTS OF PANDUIT CORP.

PANDUIT P/N	WEIGHT
CMSVC**Y	.40 LB/10 PCS (181.3 g/10 PCS)

- NOTES:
1. SEE CURRENT CATALOG FOR ADDITIONAL PART NUMBER SUFFIXES TO INDICATE COLOR AND OR PACKAGE QUANTITY.
 2. SEE CATALOG FOR COMPLETE LIST OF PARTS APPLICABLE FOR USE WITH THIS PART.
 3. DIMENSIONS IN PARENTHESES ARE IN METRIC.
 4. PART INCLUDES:
 - 1- MODULE BASE
 - 1- S-VIDEO COUPLER (ASSEMBLED TO MODULE BASE)



NETWORK SYSTEMS
MAY 25 2006
ENGINEERING DEPT

MODEL FILENAME	M00823AA_CMSV_01.PRT	SIZE	A
DRAWING FILENAME	M02479HC_DC187_00A.PRT		

MINI-COM S-VIDEO COUPLER MODULE
CUSTOMER DRAWING

	PANDUIT TM CORP. TINLEY PARK, ILL 60477	1.1. NUMBER	N/A
		PRODUCT SPEC	N/A

	ALL DIMENSIONS ARE GIVEN IN INCHES, UNLESS OTHERWISE SPECIFIED. DIMENSIONAL TOLERANCES ARE: (.X1) ± (.XXX1) ± .010(.3) (.XX) ± .03(.8) ANGLES ±	WORK INSTRUCTION	N/A
		SCALE	NONE

DRAWN BY	JsP	MATERIAL	MODULE - ABS COUPLER - NICKEL PLATED	PART NO.	CMSVC**Y
DATE	3-18-06	CHK'D		DRAWING NO.	02479-187

R	3-18-06	JsP	RELEASED TO PRODUCTION	02479-187					
REV	DATE	BY	CHK	DESCRIPTION	ECN	R	CUST	SUP	OTH